

COMMON MODE CHOKE COILS / BTC TYPE

FEATURES

- ◆ High rated currents, reduced components height.
- ◆ Wire wound construction common mode choke with best EMI suppression effect high impedance.



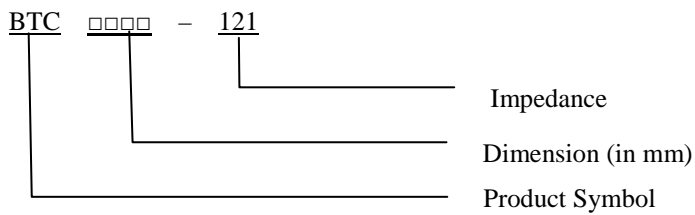
APPLICATIONS

Preventive measure against common mode noise radiation emissions from power line or else.

Best for high current circuit such as car, wireless charging and power device design.

Industrial applications.

ORDERING CODE



SHAPES

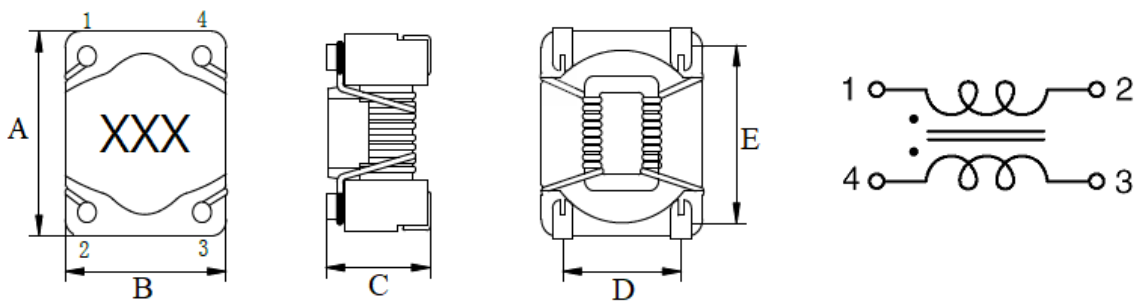


Fig. 1

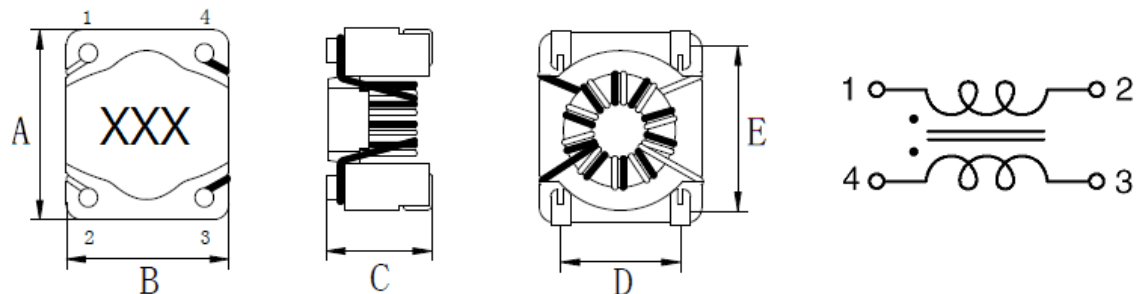


Fig. 2

CORE MASTER ENTERPRISE CO., LTD.

<http://www.coremaster.com.tw>



COMMON MODE CHOKE COILS / BTC TYPE

DIMENSIONS (UNIT: mm)

Part No.	A	B	C	D	E
BTC 1006	10.0 ± 0.3	8.7 ± 0.3	6.5	6.22 ± 0.2	7.62 ± 0.2

ELECTRICAL CHARACTERISTICS FOR BTC

Part No.	Fig.	Inductance (uH) 100KHZ/0.1V N1=N2 (± 40%)	Impedance (Ω) (TYP) N1=N2	DCR (Ω) (Max)	IDC (mA) (Max)	Leakage Inductance 1MHz, 1mA (nH) (TYP)	Rated Voltage (Vdc)
BTC 1006-121	1	120	460	0.025	2500	860	80
BTC 1006-221	1	220	780	0.032	2200	1300	80
BTC 1006-251	1	250	970	0.035	2000	1500	80
BTC 1006-471	1	470	1750	0.065	1600	3000	80
BTC 1006-102	1	1000	3600	0.180	950	5900	80
BTC 1006-222	2	2200	7500	0.300	750	130	80
BTC 1006-332	2	3300	8900	0.360	650	130	80
BTC 1006-392	2	3900	9600	0.540	520	150	80
BTC 1006-472	2	4700	13000	0.720	350	270	80

CORE MASTER ENTERPRISE CO., LTD.



<http://www.coremaster.com.tw>